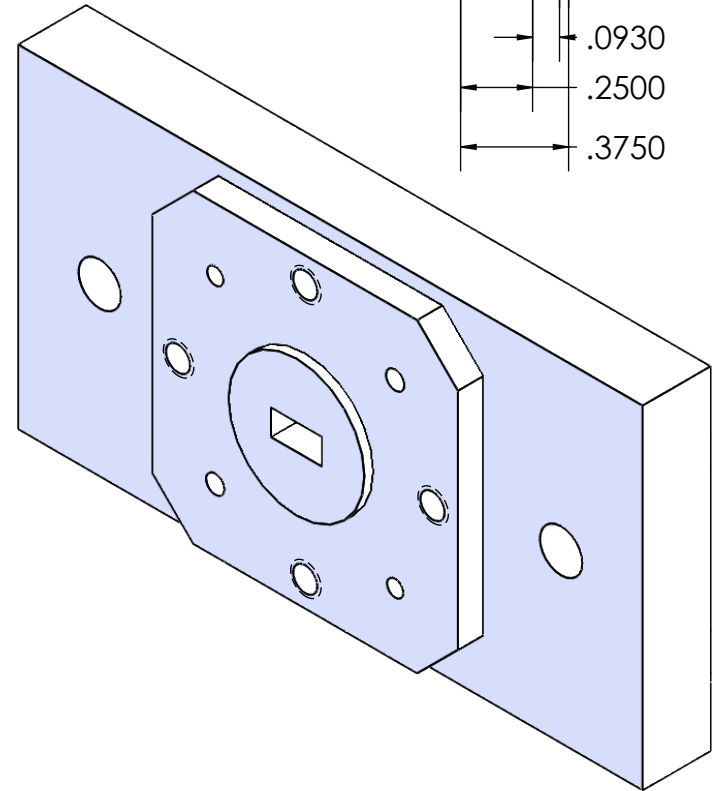
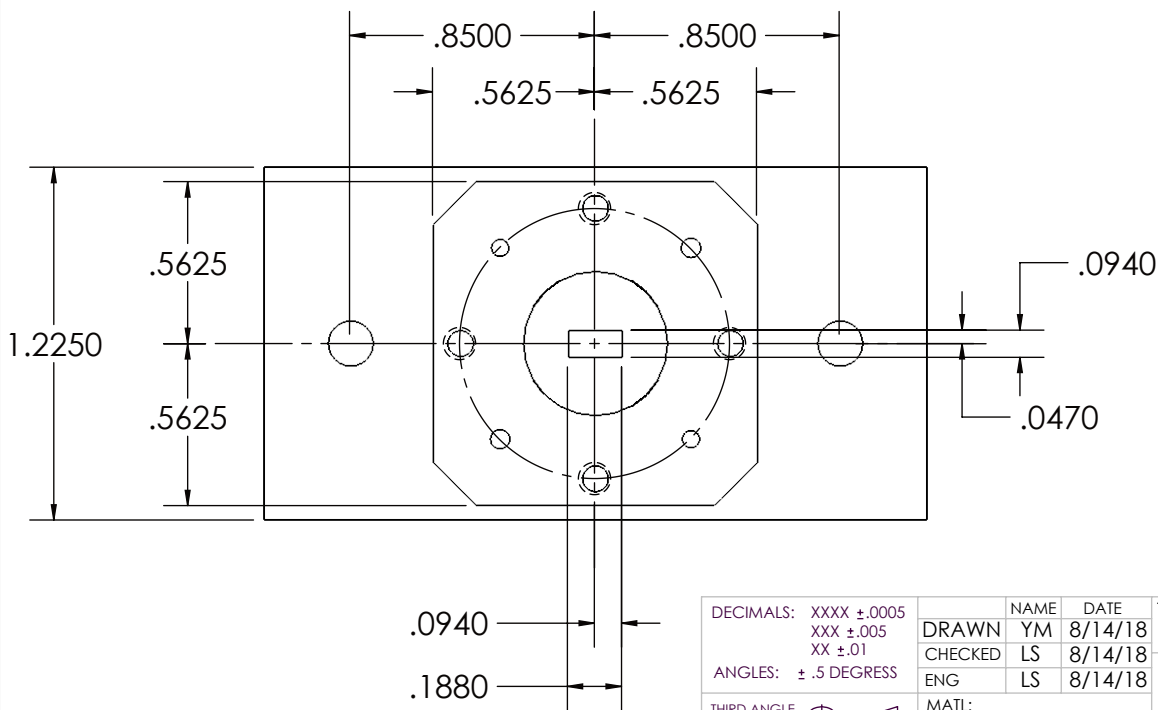
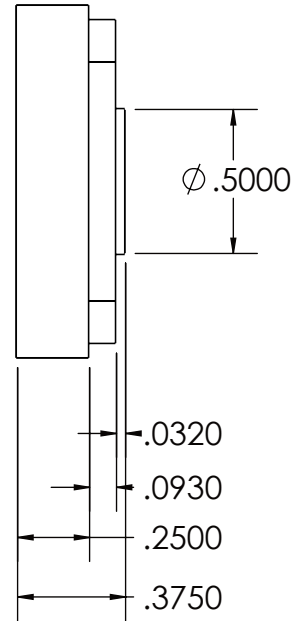
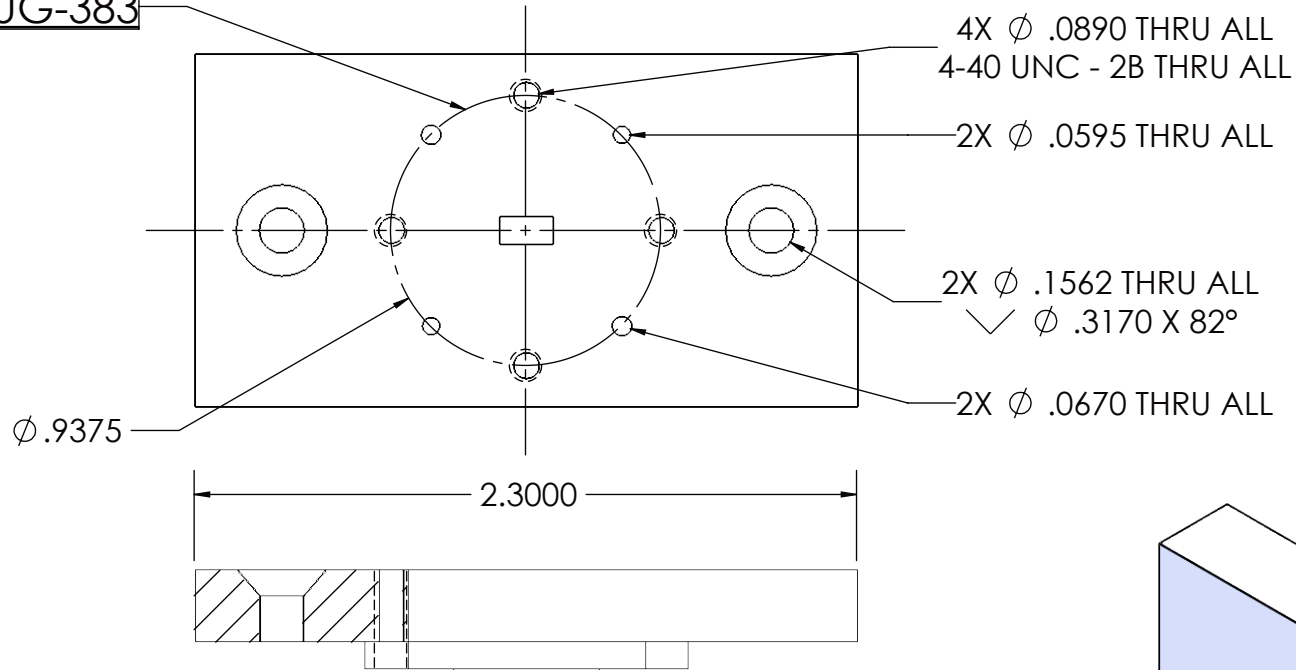


UG-383

REVISIONS			
REV	DESCRIPTION	DATE	APPROVED
--	--	--	--



DECIMALS: XXXX ±.0005  
 XXX ±.005  
 XX ±.01  
 ANGLES: ± .5 DEGREE

THIRD ANGLE PROJECTION

	NAME	DATE
DRAWN	YM	8/14/18
CHECKED	LS	8/14/18
ENG	LS	8/14/18

MATL:  
 6061 T6 ALUMINUM

TITLE: **Mi-Wave Millimeter Products Inc.**  
 SIZE DWG. NO. **714\_BULKHEAD FLANGE\_383 WR-19\_ADAPTER**  
 SCALE: 2:1 WEIGHT: REV - SHEET 1 OF 1